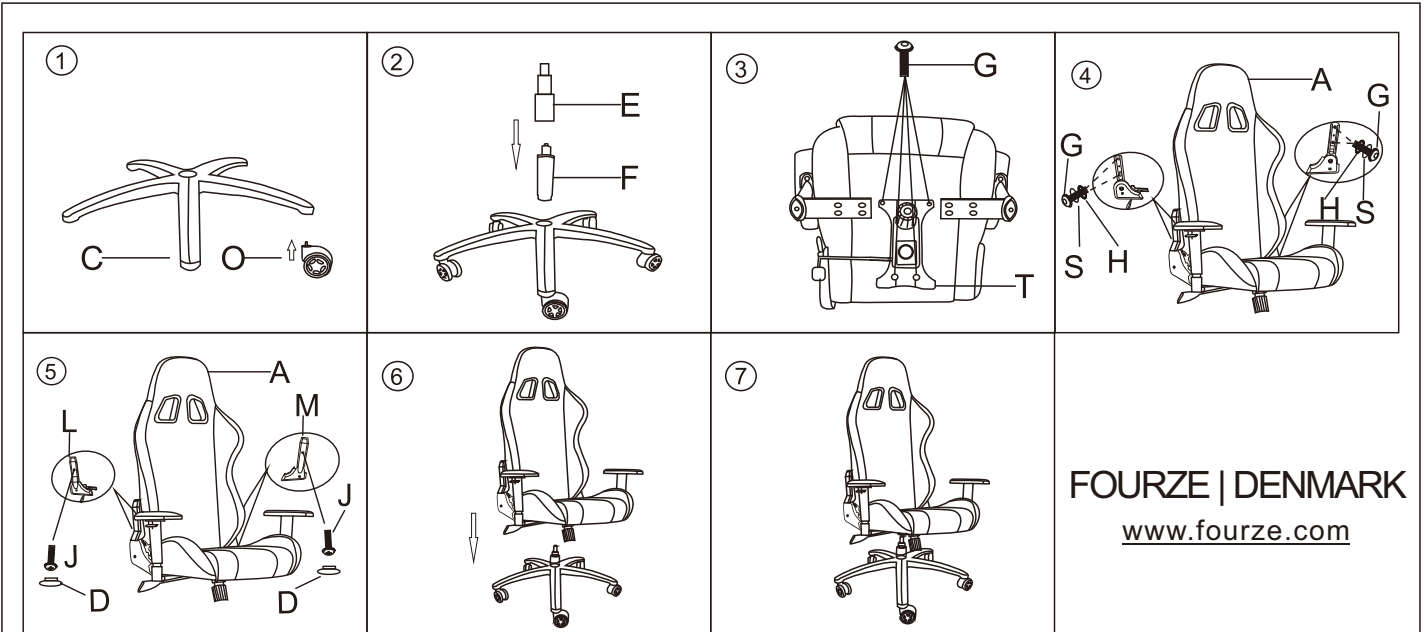


FOURZE

ASSEMBLY INSTRUCTION

Thanks for purchasing a FOURZE gaming chair. We're confident you'll enjoy it. When assembling the chair, keep the bolts loose before adding the next one. Once all bolts are in place then tighten each one fully. This allows the movement of the parts you are fitting so the bolts can align correctly.



FOURZE | DENMARK
www.fourze.com

Ax1	Bx1	Cx1	Dx2	Ex1	Fx1	Gx8	Hx4	Ix1	Jx2
Kx1	Lx1	Mx1	Nx1	Ox5	Px1	Sx4	Tx1	Qx1	

