

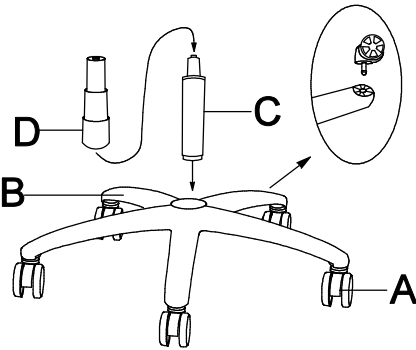
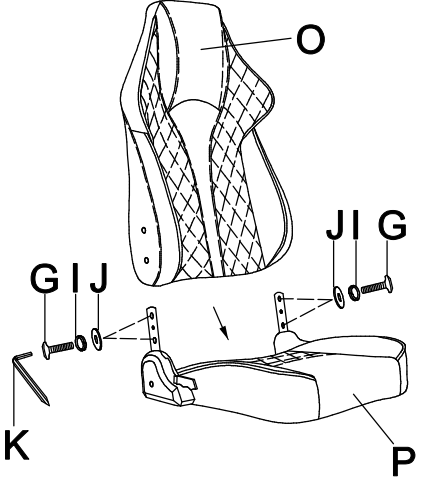
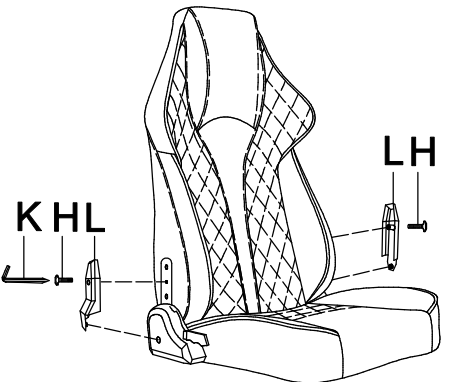
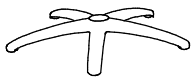


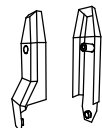

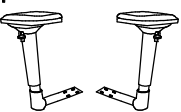
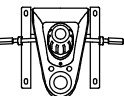
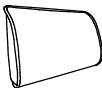
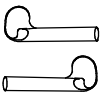


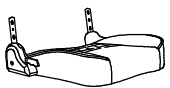
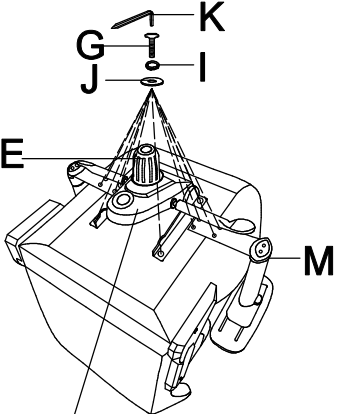
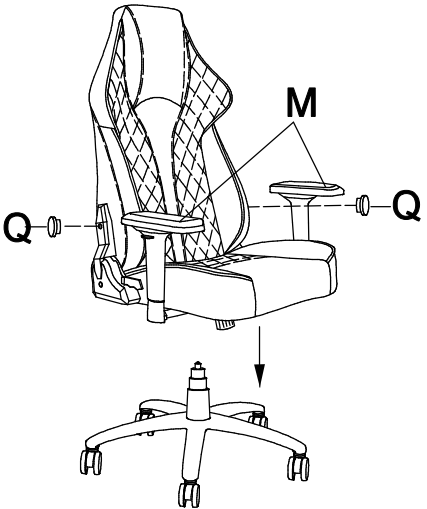
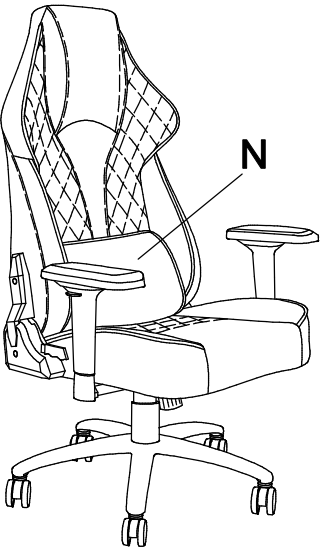

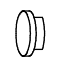


ASSEMBLE INSTRUCTION

<p>Ax5</p> 	<p>Jx16</p> 	<p>①</p> 	<p>②</p> 	<p>③</p> 
<p>Bx1</p> 	<p>Kx1</p> 			
<p>Cx1</p> 	<p>Lx1</p> 			
<p>Dx1</p> 	<p>Mx1</p> 			
<p>Ex1</p> 	<p>Nx1</p> 			
<p>Fx1</p> 	<p>Ox1</p> 			
<p>Gx16</p> 	<p>Px1</p> 	<p>④</p>  <p>⑤</p> 	<p>⑥</p> 	
<p>Hx2</p> 	<p>Qx2</p> 			
<p>Ix16</p> 